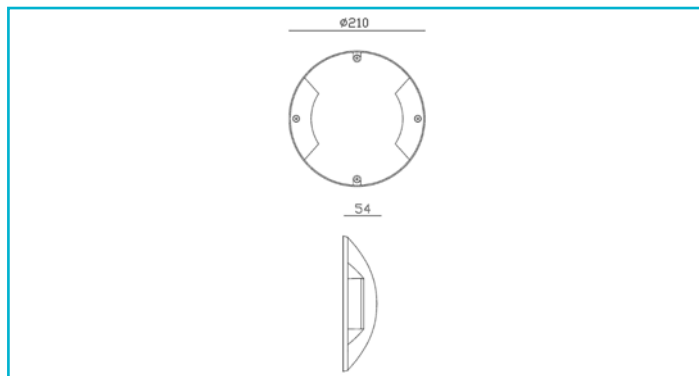


**Bollard light**  
**Helios II, 4,0 W, 3,000 K, dark grey**



**Special features**

- Incl. four heavy-duty anchors

<b>Housing Material</b>	Aluminium
<b>Housing Color</b>	Dark grey
<b>Material of Lens</b>	Polycarbonate - PC
<b>Mounting Type</b>	Top mounting
<b>Mounting Location</b>	Outside
<b>Mounting Area</b>	Bottom panel mounting, Ceiling installation, Wall installation
<b>Protection Class</b>	Protection class I/ protective grounding
<b>Rated Input</b>	4 W
<b>Rated Input Voltage Frequency</b>	220-240 V/AC 50 / 60 Hz
<b>Power Supply Unit incl.</b>	Yes
<b>Dimmable</b>	No
<b>Motion Detector</b>	No

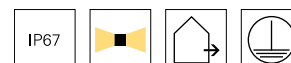
<b>Light Source</b>	LED, Light source changeable TC
<b>Color Temperature</b>	3000 K
<b>Colour Consistency</b>	6 SDCM
<b>Colour consistency light source</b>	6 SDCM
<b>CRI (Ra)</b>	80
<b>Rated Luminous Flux</b>	120 lm
<b>Luminous Efficiency</b>	30 lm/W
<b>Rated Angle of Reflection</b>	90 Degree
<b>UGR</b>	19
<b>Distribution Characteristic 120°</b>	NDLS

<b>Light Exit Surfaces</b>	2
<b>Light characteristics</b>	Indirect
<b>Light direction</b>	Side

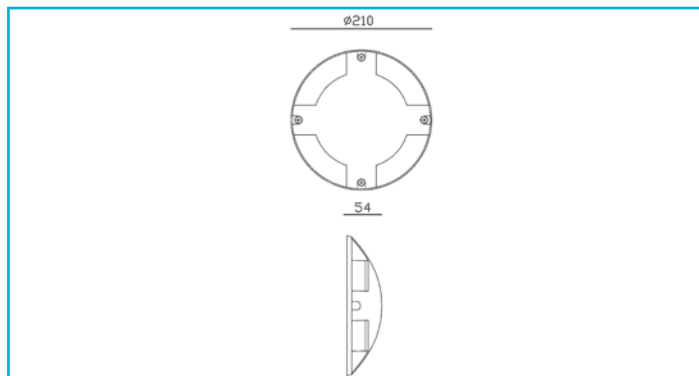
<b>Height</b>	54 mm
<b>Diameter</b>	210 mm

<b>Base height</b>	7 mm
<b>Base H x Ø</b>	7 x 198 mm
<b>Base diameter</b>	198 mm
<b>Working Temperature</b>	-10 to 45 °C
<b>Storage Temperature</b>	-20 to 60 °C
<b>Surface Temperature max.</b>	45 °C
<b>IP Protection Class</b>	IP 67
<b>IK Protection Class</b>	IK10
<b>Inrush Current max.</b>	20 A / 110 µs
<b>Max. units per MCB B10</b>	38 PCS
<b>Max. units per MCB B16</b>	61 PCS
<b>Max. units per MCB C10</b>	64 PCS
<b>Max. units per MCB C16</b>	102 PCS

<b>Life Time L70 / B50</b>	25000 h
<b>Switching Cycles</b>	20000 PCS
<b>Power Consumption</b>	4 kWh/1000h
<b>Energy Efficiency Class Lightsource</b>	This product contains a light source of energy efficiency class G.



**Bollard light**  
**Helios IV, 6,0 W, 3,000 K, dark grey**



**Special features**

- Incl. four heavy-duty anchors

<b>Housing Material</b>	Aluminium
<b>Housing Color</b>	Dark grey
<b>Material of Lens</b>	Polycarbonate - PC
<b>Mounting Type</b>	Top mounting
<b>Mounting Location</b>	Outside
<b>Mounting Area</b>	Bottom panel mounting, Ceiling installation, Wall installation
<b>Protection Class</b>	Protection class I/ protective grounding
<b>Rated Input</b>	6 W
<b>Rated Input Voltage Frequency</b>	220-240 V/AC 50 / 60 Hz
<b>Power Supply Unit incl.</b>	Yes
<b>Dimmable</b>	No
<b>Motion Detector</b>	No

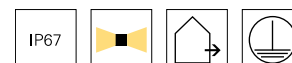
<b>Light Source</b>	LED, Light source changeable TC
<b>Color Temperature</b>	3000 K
<b>Colour Consistency</b>	6 SDCM
<b>Colour consistency light source</b>	6 SDCM
<b>CRI (Ra)</b>	80
<b>Rated Luminous Flux</b>	180 lm
<b>Luminous Efficiency</b>	30 lm/W
<b>Rated Angle of Reflection</b>	90 Degree
<b>UGR</b>	19
<b>Distribution Characteristic 120°</b>	NDLS

<b>Light Exit Surfaces</b>	4
<b>Light characteristics</b>	Indirect
<b>Light direction</b>	Side

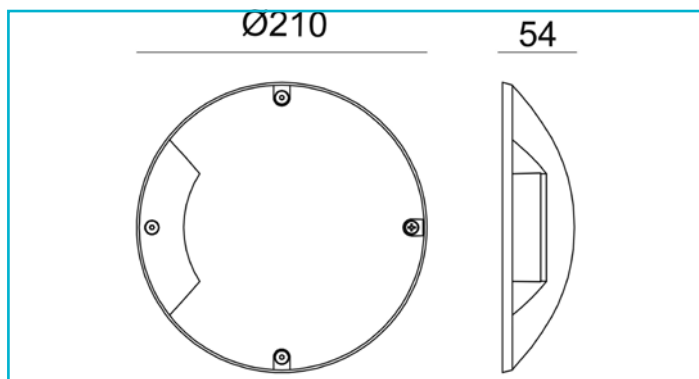
<b>Height</b>	54 mm
<b>Diameter</b>	210 mm

<b>Base height</b>	7 mm
<b>Base H x Ø</b>	7 x 198 mm
<b>Base diameter</b>	198 mm
<b>Working Temperature</b>	-10 to 45 °C
<b>Storage Temperature</b>	-20 to 60 °C
<b>Surface Temperature max.</b>	45 °C
<b>IP Protection Class</b>	IP 67
<b>IK Protection Class</b>	IK10
<b>Inrush Current max.</b>	5.52 A / 108 µs
<b>Max. units per MCB B10</b>	72 PCS
<b>Max. units per MCB B16</b>	116 PCS
<b>Max. units per MCB C10</b>	72 PCS
<b>Max. units per MCB C16</b>	116 PCS

<b>Life Time L70 / B50</b>	25000 h
<b>Switching Cycles</b>	20000 PCS
<b>Power Consumption</b>	6 kWh/1000h
<b>Energy Efficiency Class Lightsource</b>	This product contains a light source of energy efficiency class G.



**Bollard light**  
**Helios I, 4,0 W, 3,000 K, dark grey**



**Special features**

- Incl. four heavy-duty anchors

<b>Housing Material</b>	Aluminium
<b>Housing Color</b>	Dark grey
<b>Material of Lens</b>	Polycarbonate - PC
<b>Mounting Type</b>	Top mounting
<b>Mounting Location</b>	Outside
<b>Mounting Area</b>	Bottom panel mounting, Ceiling installation, Wall installation
<b>Protection Class</b>	Protection class I/ protective grounding
<b>Rated Input</b>	4 W
<b>Rated Input Voltage Frequency</b>	220-240 V/AC 50 / 60 Hz
<b>Power Supply Unit incl.</b>	Yes
<b>Dimmable</b>	No
<b>Motion Detector</b>	No

<b>Light Source</b>	LED, Light source changeable TC
<b>Color Temperature</b>	3000 K
<b>Colour Consistency</b>	6 SDCM
<b>Colour consistency light source</b>	6 SDCM
<b>CRI (Ra)</b>	80
<b>Rated Luminous Flux</b>	60 lm
<b>Luminous Efficiency</b>	12 lm/W
<b>Rated Angle of Reflection</b>	90 Degree
<b>UGR</b>	19
<b>Distribution Characteristic 120°</b>	DLS

<b>Light Exit Surfaces</b>	1
<b>Light characteristics</b>	Indirect
<b>Light direction</b>	Side

<b>Height</b>	54 mm
<b>Diameter</b>	210 mm

<b>Base height</b>	7 mm
<b>Base H x Ø</b>	7 x 198 mm
<b>Base diameter</b>	198 mm
<b>Working Temperature</b>	-10 to 45 °C
<b>Storage Temperature</b>	-20 to 60 °C
<b>Surface Temperature max.</b>	45 °C
<b>IP Protection Class</b>	IP 67
<b>IK Protection Class</b>	IK10
<b>Inrush Current max.</b>	20 A / 110 µs
<b>Max. units per MCB B10</b>	38 PCS
<b>Max. units per MCB B16</b>	61 PCS
<b>Max. units per MCB C10</b>	64 PCS
<b>Max. units per MCB C16</b>	102 PCS

<b>Life Time L70 / B50</b>	25000 h
<b>Switching Cycles</b>	20000 PCS
<b>Power Consumption</b>	4 kWh/1000h
<b>Energy Efficiency Class Lightsource</b>	This product contains a light source of energy efficiency class G.

